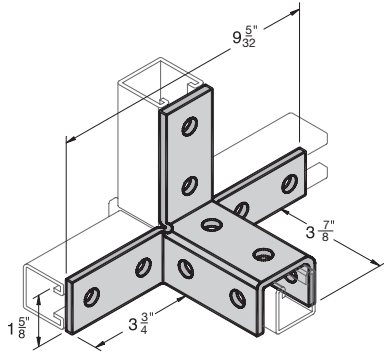




**SWF669 (A328-1)**

## Twelve Hole Triple Wing Fitting

Electro-Galvanized  
Wt. 2.49 Lbs.  
10/Box



Material Width: 1 5/8" • Thickness: 1/4" • Hole Diameter: 9/16" • Hole Spacing: 1 7/8" • Hole Center From Edge: 1 3/16"  
Other Materials and Products Available Upon Request