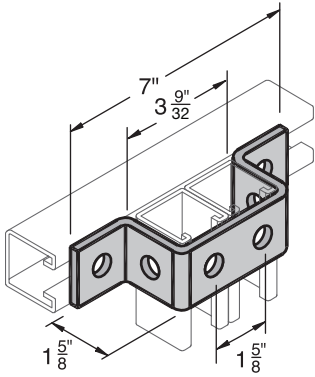




SUS721 (B610)

Six Hole U Support

Electro-Galvanized
Wt. 1.03 Lbs.
10/Box



Material Width: 1 5/8" • Thickness: 1/4" • Hole Diameter: 9/16" • Hole Spacing: 1 7/8" • Hole Center From Edge: 1 3/16"
Other Materials and Products Available Upon Request