



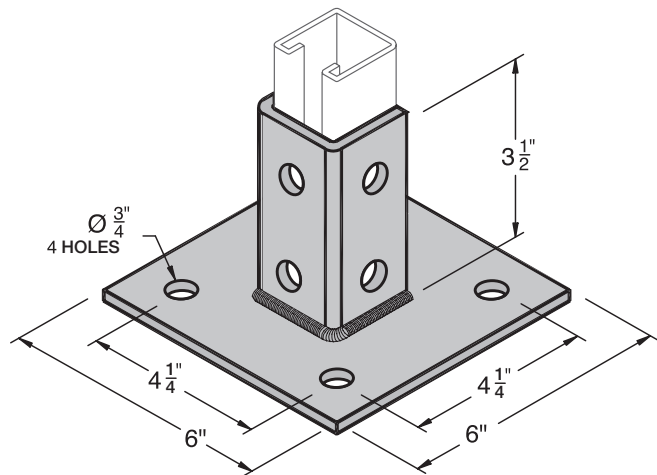
SPB3033-SQ (B620-SQ)

Squared Single Post Base Double

Electro-Galvanized

Wt. 3.25 Lbs.

10/Box



Material Width: 1 5/8" • Thickness: 1/4" • Hole Diameter: 3/4" • Hole Spacing: 1 7/8" • Hole Center From Edge: 1 3/16"
Other Materials and Products Available Upon Request