



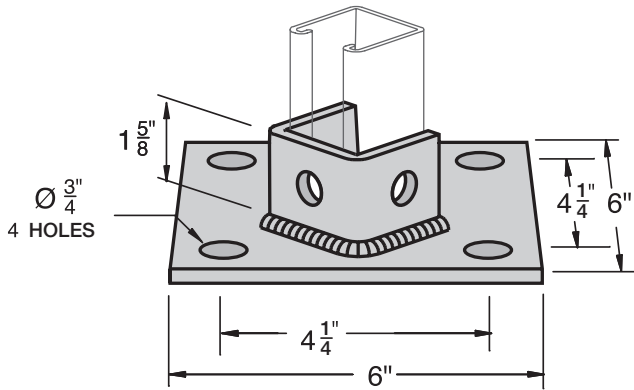
SPB3013 (B619)

Single Post Base

Electro-Galvanized

Wt. 3.05 Lbs.

10/Box



Material Width: $1\frac{5}{8}$ " • Thickness: $\frac{1}{4}$ " • Hole Diameter: $\frac{3}{16}$ " • Hole Spacing: $1\frac{7}{8}$ " • Hole Center From Edge: $1\frac{3}{16}$ "
Other Materials and Products Available Upon Request