



**SEC1 (1001 Series)**

**Metal End Cap**

- SERVICE:** To prevent concrete seepage when inserted into strut ends.
- MATERIAL:** Carbon Steel
- FINISH:** Electro-Galvanized
- ORDERING:** Specify figure number and strut size. (This end cap is available on all inserts up to 12" in length & provides nail lugs at each end on the insert. End caps may be ordered separately.)

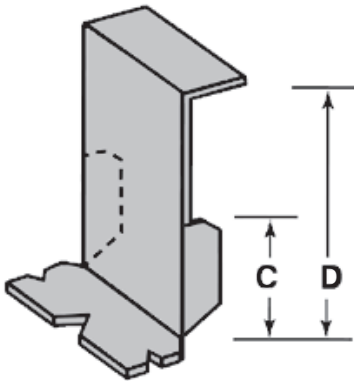


FIG. #	USE WITH SH-STRUT	C	D	WEIGHT EACH, LBS.
SEC1652	SH132	1 <sup>5</sup> / <sub>8</sub>	3	0.20
SEC1653	SH142	1 <sup>3</sup> / <sub>8</sub>	2 <sup>7</sup> / <sub>8</sub>	0.20