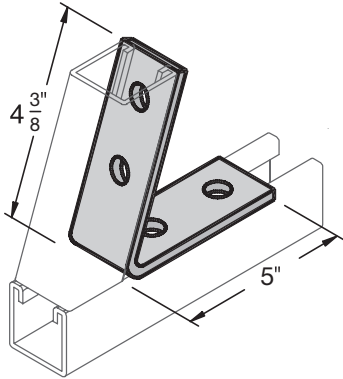




**SCA793-45 (A3174-2)**

## Four Hole Closed 45° Angle

Electro-Galvanized  
Wt. 0.98 Lbs.  
10/Box



Material Width: 1 5/8" • Thickness: 1/4" • Hole Diameter: 9/16" • Hole Spacing: 1 7/8" • Hole Center From Edge: 1 3/16"  
Other Materials and Products Available Upon Request