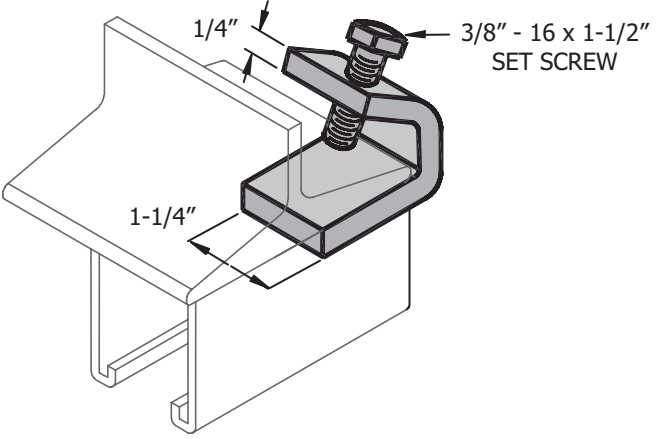




SBC907-S (C408)

Light Duty Beam Clamp

Electro-Galvanized
Wt. 0.26 Lbs.
50/Box



Maximum Recommended Load: 450 lbs per pair