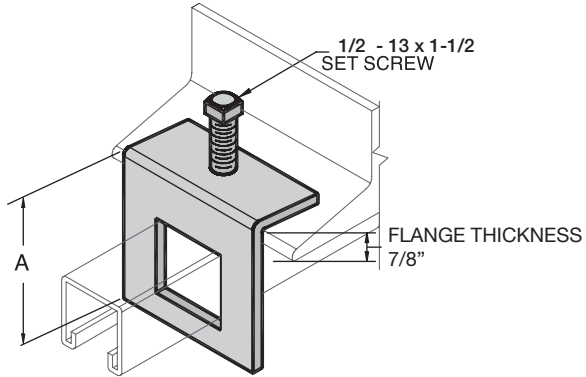




SBC855-1S (C401)

Window Beam Clamp

Electro-Galvanized
25/Box



USE WITH	A	WEIGHT EACH, LBS.	MAX. REC. LOAD, LBS.
SH132	3½	1.09	500