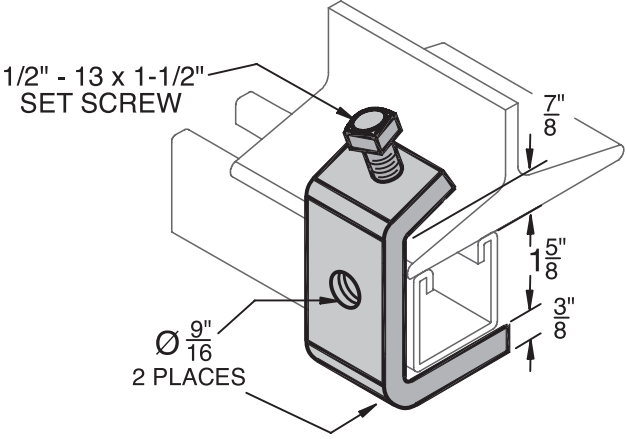




SBC684-S (C407)

Heavy Duty Beam Clamp

Electro-Galvanized
Wt. 0.90 Lbs.
25/Box



Maximum Recommended Load: 500 lbs