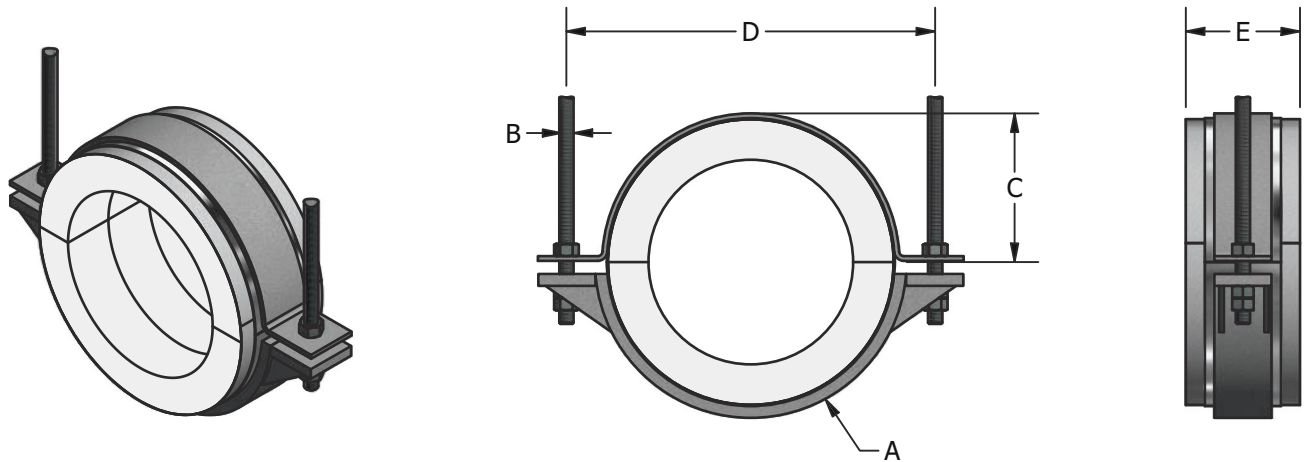


Pre-Insulated Two-Rod Pipe Hanger
Hung from Two Rods



Ordering: Fig. NH60 - (Pipe Size) x (Insulation Thickness)-(Finish) e.g. NH60-3x1-H

| PIPE SIZE | VERT. LOAD | A | B | INS. THK. = 1" | | | INS. THK. = 1½" | | | INS. THK. = 2" | | | INS. THK. = 2½" | | | INS. THK. = 3" | | | INS. THK. = 4" | | |
|-----------|------------|-------|------|----------------|----|----|-----------------|----|----|----------------|----|----|-----------------|----|----|----------------|----|----|----------------|----|----|
| | | | | C | D | E | C | D | E | C | D | E | C | D | E | C | D | E | C | D | E |
| 5" | 1200 | ½ x 3 | 0.5 | 4.13 | 11 | 6 | 4.63 | 12 | 6 | 5.13 | 13 | 6 | 5.69 | 14 | 6 | 6.19 | 15 | 6 | 7.31 | 18 | 6 |
| 6" | 1600 | ½ x 3 | 0.5 | 4.63 | 12 | 6 | 5.13 | 13 | 6 | 5.69 | 14 | 6 | 6.19 | 15 | 6 | 6.69 | 16 | 6 | 7.81 | 19 | 6 |
| 8" | 2600 | ½ x 3 | 0.63 | 5.69 | 15 | 6 | 6.19 | 16 | 6 | 6.69 | 17 | 6 | 7.31 | 18 | 6 | 7.81 | 19 | 6 | 8.81 | 21 | 6 |
| 10" | 4000 | ⅝ x 3 | 0.75 | 6.88 | 17 | 6 | 7.5 | 18 | 6 | 8 | 19 | 6 | 8.5 | 20 | 6 | 9 | 21 | 6 | 10 | 23 | 9 |
| 12" | 4800 | ¾ x 3 | 0.75 | 8 | 20 | 6 | 8.5 | 21 | 6 | 9 | 22 | 6 | 9.5 | 23 | 6 | 10 | 24 | 6 | 11 | 26 | 9 |
| 14" | 5000 | ¾ x 3 | 0.75 | 8.5 | 21 | 6 | 9 | 22 | 6 | 9.5 | 23 | 6 | 10 | 24 | 9 | 10.5 | 25 | 9 | 11.5 | 27 | 9 |
| 16" | 6600 | 1 x 5 | 1.25 | 9.63 | 25 | 6 | 10.13 | 26 | 9 | 10.63 | 27 | 9 | 11.13 | 28 | 9 | 11.63 | 29 | 9 | 12.63 | 31 | 9 |
| 18" | 7000 | 1 x 5 | 1.25 | 10.63 | 27 | 9 | 11.13 | 28 | 9 | 11.63 | 29 | 9 | 12.13 | 30 | 9 | 12.63 | 31 | 9 | 13.63 | 33 | 9 |
| 20" | 8200 | 1 x 6 | 1.25 | 11.63 | 29 | 9 | 12.13 | 30 | 9 | 12.63 | 31 | 9 | 13.13 | 32 | 9 | 13.63 | 33 | 9 | 14.63 | 35 | 12 |
| 24" | 11400 | 1 x 8 | 1.5 | 13.63 | 33 | 9 | 14.13 | 34 | 12 | 14.63 | 35 | 12 | 15.13 | 36 | 12 | 15.63 | 37 | 12 | 16.63 | 39 | 12 |
| 30" | 11400 | 1 x 8 | 1.5 | 16.63 | 39 | 12 | 17.13 | 40 | 12 | 17.63 | 41 | 12 | 18.13 | 42 | 12 | 18.63 | 43 | 12 | 19.63 | 45 | 12 |

Applications:

- Provides heavy duty vertical support in low overhead clearance pipe runs
- Designed for use on:
Chilled Water Hot Water Steam
- Installation: hung from two threaded rods
- Temperature Range: +20°F to +1200°F

Features:

- Eliminates welding to pipe
- Provides continuous, zero permeability vapor barrier
- Insulation extends beyond shield 1"-1½" each side
- Structural insulation for load transfer
- ASTM E-84 Flame Spread/Smoke Developed: 10/20
- Thermal Conductivity
0.54 Btu•in/(hr•ft²•°F) @ 200°F
- Insulation chemically bonded
- See National Pipe Hanger Corporation's Pipe Hangers and Supports Catalog for hardware and upper attachments.

Material Data:

Insulation: Calcium Silicate meeting ASTM C-585 and C-656 Type II Grade 5: 450 psi, 20 pcf other insulation materials, Page 34
 Clamp: ASTM A-36 Carbon Steel
 Fasteners: ASTM A-307 Electro-Galv. Plated
 Shield: ASTM A-653 G-90, 18 ga Galv. Steel
 Vapor Barrier: ASTM E-96 All Service Jacket
 Finishes: (H) Hot-Dip Galv. per ASTM A-123
 (B) Unfinished