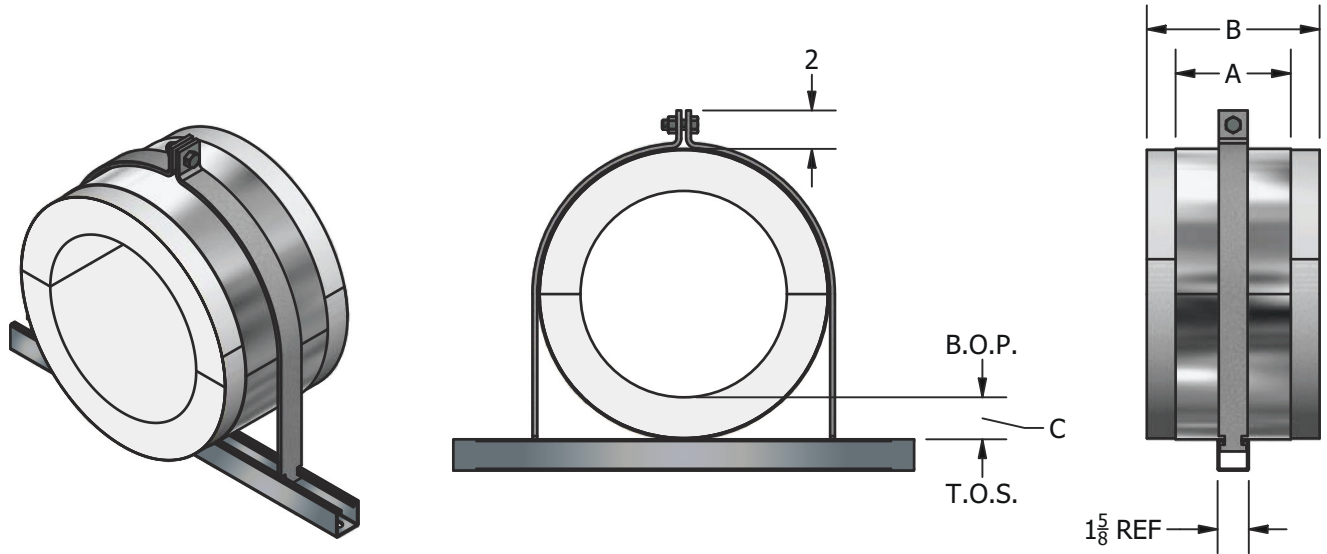


**FIG. NC70**

**Pre-Insulated Holddown Strut Clamp**  
For Use on Strut



**Ordering:** Fig. NC70 - (Pipe Size) x (Insulation Thickness)-(Finish) e.g. NC70-3x1-H

PIPE SIZE	VERTICAL LOAD	LATERAL LOAD	INS. THK. = 1"		INS. THK. = 1½"		INS. THK. = 2"		INS. THK. = 2½"		INS. THK. = 3"		INS. THK. = 4"	
			A / B	C	A / B	C	A / B	C	A / B	C	A / B	C	A / B	C
2"	130	50	4 / 6	1.125	4 / 6	1.6875	4 / 6	2.1875	4 / 6	2.6875	4 / 6	3.1875	4 / 6	4.25
2½"	150	50	4 / 6	1.125	4 / 6	1.9375	4 / 6	2.4375	4 / 6	2.9375	4 / 6	3.4375	4 / 6	4.5
3"	170	50	4 / 6	1.125	4 / 6	1.625	4 / 6	2.125	4 / 6	2.625	4 / 6	3.125	4 / 6	4.1875
4"	170	50	4 / 6	1.125	4 / 6	1.625	4 / 6	2.125	4 / 6	2.625	4 / 6	3.1875	4 / 6	4.1875
5"	260	50	4 / 6	1.125	4 / 6	1.625	4 / 6	2.125	4 / 6	2.6875	4 / 6	3.1875	4 / 6	4.3125
6"	330	50	6 / 9	1.0625	6 / 9	1.5625	6 / 9	2.125	6 / 9	2.625	6 / 9	3.125	6 / 9	4.25
8"	510	50	6 / 9	1.125	6 / 9	1.625	6 / 9	2.125	6 / 9	2.75	6 / 9	3.25	6 / 9	4.25
10"	830	50	6 / 9	1.0625	6 / 9	1.6875	6 / 9	2.1875	6 / 9	2.6875	6 / 9	3.1875	6 / 9	4.1875
12"	1200	50	6 / 9	1.1875	6 / 9	1.6875	6 / 9	2.1875	6 / 9	2.6875	6 / 9	3.1875	6 / 9	4.1875

<p><b>Applications:</b></p> <ul style="list-style-type: none"> <li>• Provides light duty vertical support and lateral support</li> <li>• Designed for use on: Chilled Water    Hot Water    Steam</li> <li>• Installation: clamped to 1 5/8" wide strut</li> <li>• Temperature Range: +20°F to +1200°F</li> </ul>	<p><b>Features:</b></p> <ul style="list-style-type: none"> <li>• Eliminates welding to pipe</li> <li>• Provides continuous, zero permeability vapor barrier</li> <li>• Insulation extends beyond shield 1"-1½" each side</li> <li>• Structural insulation for load transfer</li> <li>• ASTM E-84 Flame Spread/Smoke Developed: 10/20</li> <li>• Thermal Conductivity 0.39 Btu•in/(hr•ft²•°F) @ 200°F</li> <li>• Insulation chemically bonded</li> </ul>	<p><b>Material Data:</b></p> <p>Insulation: Calcium Silicate meeting ASTM C-585 and C-533 Type I Pro-Shield: 100 psi, 14 pcf standard with 450 psi, 20 pcf insert for 12" pipe other insulation materials, Page 34 Clamp: ASTM A-36 Carbon Steel, ¼" x 1½" Fasteners: ASTM A-307 Electro-Galv. Plated Shield: ASTM A-653 G-90 Galv. Steel (see Pro-Shield for Gauge) Vapor Barrier: ASTM E-96 All Service Jacket Finishes: (H) Hot-Dip Galv. per ASTM A-123 (B) Unfinished</p>
---	---	--