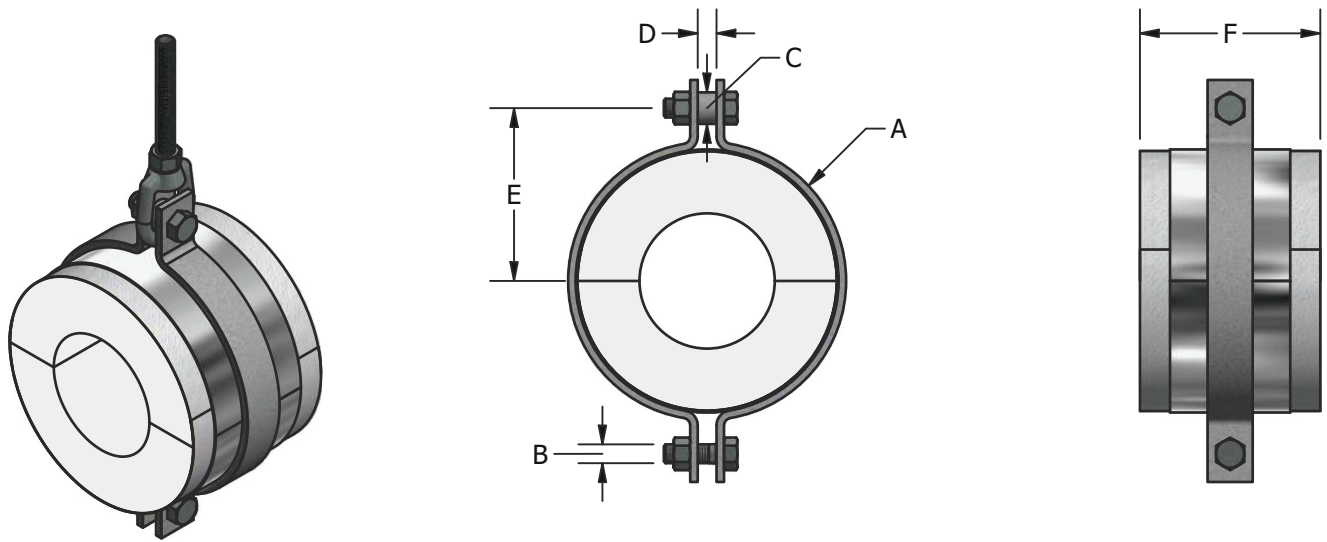


FIG. NC10

Pre-Insulated Two-Bolt Pipe Clamp
Hung from Single Rod



Ordering: Fig. NC10 - (Pipe Size) x (Insulation Thickness)-(Finish) e.g. NC10-3x1-H

PIPE SIZE	VERT. LOAD	A	B	C	D	INS. THK. = 1"		INS. THK. = 1½"		INS. THK. = 2"		INS. THK. = 2½"		INS. THK. = 3"		INS. THK. = 4"	
						E	F	E	F	E	F	E	F	E	F	E	F
2"	230	¼ x 1½	0.5	0.84	0.63	3.56	6	4.13	6	4.63	6	5.13	6	5.63	6	6.69	6
2½"	280	¼ x 1½	0.5	0.84	0.63	3.81	6	4.5	6	5.13	6	5.63	6	6.13	6	7.19	6
3"	330	¼ x 1½	0.63	1.05	0.63	4.25	6	4.75	6	5.25	6	5.75	6	6.25	6	7.31	6
4"	380	¼ x 1½	0.63	1.05	0.63	4.75	6	5.25	6	5.75	6	6.31	6	6.81	6	7.81	6

Applications:

- Provides light duty vertical support and horizontal movement from rod swing
- Designed for use on:
Chilled Water Hot Water Steam
- Installation: hung from single threaded rod
- Temperature Range: +20°F to +1200°F

Features:

- Eliminates welding to pipe
- Provides continuous, zero permeability vapor barrier
- Insulation extends beyond shield 1" each side
- Structural insulation for load transfer
- ASTM E-84 Flame Spread/Smoke Developed: 10/20
- Thermal Conductivity
0.39 Btu•in/(hr•ft²•°F) @ 200°F
- Insulation chemically bonded
- See National Pipe Hanger Corporation's Pipe Hangers and Supports Catalog for hardware and upper attachments.

Material Data:

Insulation: Calcium Silicate meeting ASTM C-585 and C-533 Type I
Pro-Shield: 100 psi, 14 pcf
other insulation materials, Page 34
Clamp: ASTM A-36 Carbon Steel
Fasteners: ASTM A-307 Electro-Galv. Plated
Shield: ASTM A-653 G-90 Galv. Steel
(see Pro-Shield for gauge)
Vapor Barrier: ASTM E-96 All Service Jacket
Finishes: (H) Hot-Dip Galv. per ASTM A-123
(B) Unfinished