



**KLO-8**

**Klo-Shure® 8-Series Insulation Coupling**

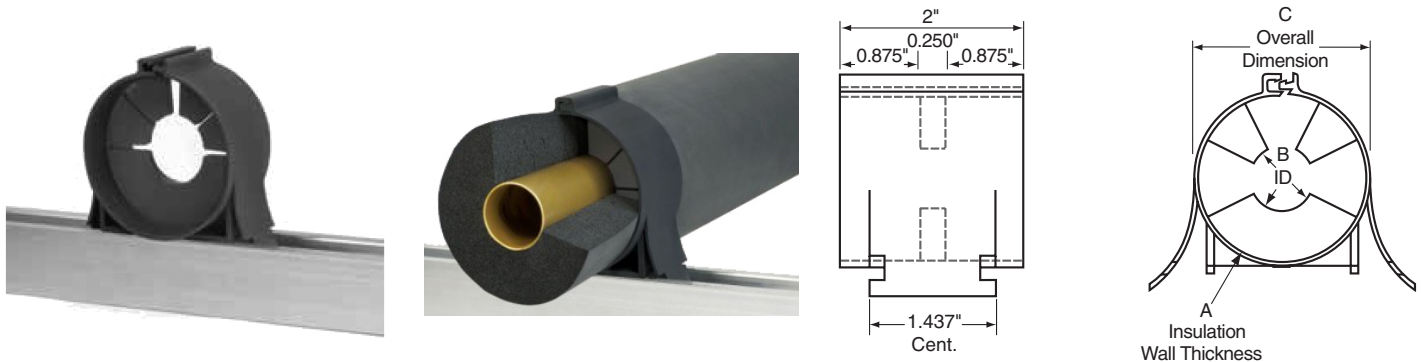
**SERVICE:** A single piece product used on insulated tube runs and provides superior vapor barrier protection at suspension points. Sized for use with elastomeric insulation and acceptable for horizontal installations. Coupling spacing should be no more than 60 diameters. Install clamps as close as possible to each side of a bend to prevent movement. **MADE IN THE USA**

**MATERIAL:** High strength Thermoplastic Olefin (TPO)

**TEMP RANGE:** -60°F to 225°F

**APPROVALS:** UL Classified 2043 (25/50) for use in plenums and air handling systems

**ORDERING:** Specify figure number.



INSULATION THICKNESS A	FIG#	KLO-SHURE ID - TUBE OD B	OVERALL DIMENSION C	STD. PKG.
1/2	824050	1/2	1.62	25
	824062	5/8	1.75	25
	824087	7/8	2.00	25
	824112	1 1/8	2.25	25
	824137	1 3/8	2.50	25
	824162	1 5/8	2.75	25
3/4	824212	2 1/8	3.25	25
	826062	5/8	2.25	25
	826087	7/8	2.50	25
	826112	1 1/8	2.75	25
1	826137	1 3/8	3.00	25
	828087	7/8	3.00	25
	828112	1 1/8	3.25	25
	828137	1 3/8	3.50	25
	828162	1 5/8	3.75	25
	828212	2 1/8	4.25	25
	828262	2 5/8	4.75	25