



**KLO-7**

**Klo-Shure® 7-Series Insulation Coupling w/ Strut Clamp**

**SERVICE:** For use on tube and pipe runs subject to damage from shock and vibration, and provides superior vapor barrier protection at suspension points. Sized for use with elastomeric insulation and acceptable for horizontal, vertical & inverted installations. Clamp spacing should be no more than 60 diameters. Install clamps as close as possible to each side of a bend to prevent movement.  
**MADE IN THE USA**

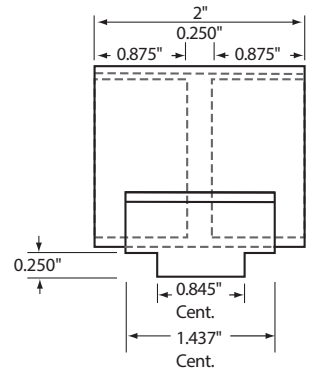
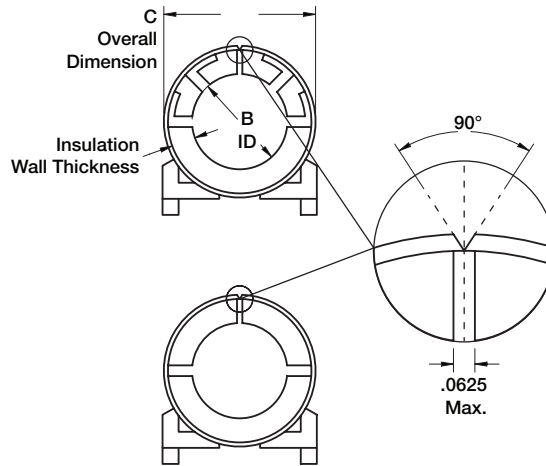
**MATERIAL:** Carbon Steel clamp with a high strength Thermoplastic Olefin (TPO) insert

**FINISH:** Yellow Trivalent (non-hex) plating

**TEMP RANGE:** -60°F to 225°F

**APPROVALS:** MSS SP-58 Type 61; UL 2043 (25/50) for use in plenums and air handling systems

**ORDERING:** Specify figure number.



\* Design as indicated

INSULATION THICKNESS A	FIG#	KLO-SHURE ID - TUBE OD B	OVERALL DIMENSION C	STD. PKG.
3/8	723025	1/4	1.12	40
	723037*	3/8	1.25	25
	723050*	1/2	1.37	20
	723062*	5/8	1.50	20
	723075*	3/4	1.62	20
	723087*	7/8	1.75	20
	723100	1	1.87	20
	723112*	1 1/8	2.00	20
	723137*	1 3/8	2.25	20
	723162*	1 5/8	2.50	10
	723212	2 1/8	3.00	10
1/2	724025	1/4	1.37	25
	724037*	3/8	1.50	25
	724050*	1/2	1.62	20
	724062*	5/8	1.75	20
	724075	3/4	1.87	20
	724087*	7/8	2.00	20
	724100	1	2.12	20
	724112*	1 1/8	2.25	20
	724137*	1 3/8	2.50	20
	724162	1 5/8	2.75	10
	724212	2 1/8	3.25	10
	724262	2 5/8	3.75	10
	724312	3 1/8	4.25	10
	724362	3 5/8	4.75	10
724412	4 1/8	5.25	10	
3/4	726025	1/4	1.87	20
	726037*	3/8	2.00	20
	726050*	1/2	2.12	10
	726062*	5/8	2.25	10
	726075	3/4	2.37	10
	726087*	7/8	2.50	10
	726112*	1 1/8	2.75	10
	726137	1 3/8	3.00	10
	726162	1 5/8	3.25	10
	726212	2 1/8	3.75	10
	726262	2 5/8	4.25	10
	726312	3 1/8	4.75	10
	726362	3 5/8	5.25	10
	726412	4 1/8	5.75	10

INSULATION THICKNESS A	FIG#	KLO-SHURE ID - TUBE OD B	OVERALL DIMENSION C	STD. PKG.
1	728031	5/16	2.43	10
	728037	3/8	2.50	10
	728050	1/2	2.62	10
	728062	5/8	2.75	10
	728075	3/4	2.87	10
	728087	7/8	3.00	10
	728112	1 1/8	3.25	10
	728137	1 3/8	3.50	10
	728162	1 5/8	3.75	10
	728212*	2 1/8	4.25	10
	728262*	2 5/8	4.75	10
	728312*	3 1/8	5.25	10
	728362	3 5/8	5.75	10
	728412	4 1/8	6.25	5
1 1/2	729031	5/16	3.43	10
	729037	3/8	3.50	10
	729050	1/2	3.62	10
	729062	5/8	3.75	10
	729087	7/8	4.00	10
	729112	1 1/8	4.25	10
	729137	1 3/8	4.50	10
	729162	1 5/8	4.75	10
	729212	2 1/8	5.25	10
	729262	2 5/8	5.75	10
729312	3 1/8	6.25	5	