



FIG. 715
FIG. 720

Light Welded Steel Bracket
Side Clip

SERVICE: For the suspension of hanger rods from steel columns or walls. Using a FIG. #720 clip which consists of two steel plates joined by a bolt and nut in one end, rod can be suspended at any point along the length of the bracket, thus providing horizontal adjustment.

MATERIAL: Carbon Steel or 304/316 Stainless Steel

FINISH: Black or Hot-Dip Galvanized

STANDARDS: MSS SP-58 Type 31

ORDERING: Specify figure number, bracket size number, clip number (if required) material and finish. (Piping suspended from FIG. #720 clip must not exceed 3 1/2" in diameter. Clip must be ordered separately.)

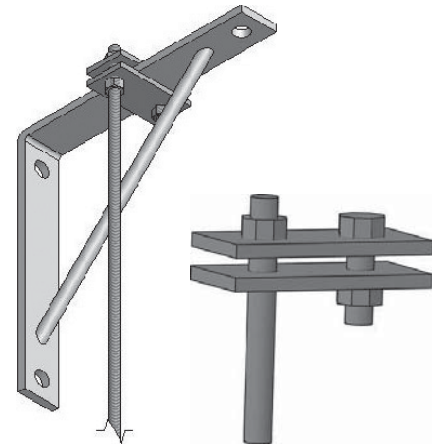


FIG. #715							
BRACKET SIZE	B	C-C	HOLE SIZE	L	STOCK SIZE S	WEIGHT EACH, LBS.	MAX. REC. LOAD, LBS.
1	8	6 1/2	13/16	9	3/8 x 2	4.2	750
2	12	10 1/2	13/16	13	3/8 x 2	6.5	750
3	18	16 1/2	13/16	19	3/8 x 2	9.4	750

FIG. #720			
CLIP NUMBER	PIPE SIZE	ROD SIZE A	WEIGHT EACH, LBS.
1	3/4 TO 2	3/8	0.80
2	2 1/2 TO 3 1/2	1/2	1.24

