



FIG. 200

Adjustable Clevis Hanger, PVC

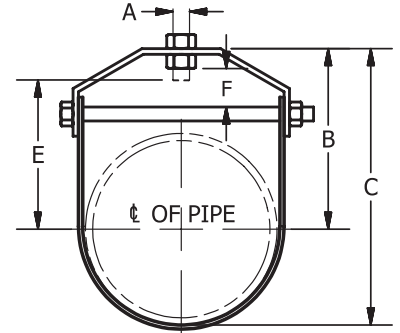
SERVICE: For the suspension of stationary brass, aluminum and glass piping services, and copper tubing services. Plastic coating prevents pipe/tube from coming in contact with the hanger.

MATERIAL: Carbon Steel (ASTM A36)

FINISH: Clevis top, bolt and nut are Electro-Galvanized and entire lower strap is plastic coated.

STANDARDS: MSS SP-58 Type 1

ORDERING: Specify figure number, pipe size and finish.



PIPE SIZE	A	B	C	E	F	BOLT	WEIGHT EACH, LBS.	MAX. REC. LOAD, LBS.
1/2	3/8	1 3/4	2 1/8	1	1/2	1/4	0.12	150
3/4	3/8	1 13/16	2 5/16	1 1/16	1/2	1/4	0.12	250
1	3/8	2 1/8	2 3/4	1 5/16	3/4	1/4	0.12	250
1 1/4	3/8	2 1/2	3 1/4	1 3/4	1 5/16	1/4	0.18	250
1 1/2	3/8	2 13/16	3 13/16	2 1/16	1 1/8	1/4	0.24	250
2	3/8	3 5/16	4 1/2	2 9/16	1 1/4	1/4	0.26	250
2 1/2	1/2	4 1/2	5 15/16	3 7/16	2 1/16	1/4	0.58	350
3	1/2	4 13/16	6 9/16	3 3/4	1 7/8	5/16	0.66	350
4	1/2	6 1/16	8 5/16	5	2 3/8	3/8	0.94	400
5	5/8	5 11/16	8 7/16	4 5/16	1 7/16	1/2	2.04	1430
6	3/4	6 13/16	10 1/8	5 3/16	1 3/4	1/2	2.80	1940
7	3/4	7 13/16	11 5/8	6 3/16	2	1/2	3.24	2000
8	3/4	8 1/16	12 7/16	6 1/4	1 7/8	5/8	4.46	2000
10	7/8	10	15 7/16	8	2 1/4	3/4	8.06	3600
12	7/8	11 9/16	18	9 9/16	2 13/16	3/4	10.34	3800