



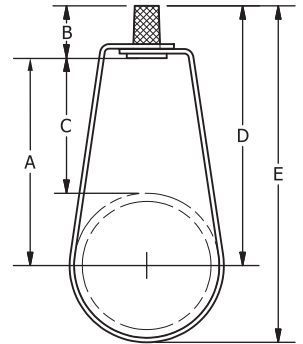
FIG. 110

Adjustable Swivel Ring Hanger

- SERVICE:** For suspension of non-insulated, stationary piping services. Approved for use without additional locking nuts normally required with pipe hangers.
- MATERIAL:** Carbon Steel
- FINISH:** Electro-Galvanized
- STANDARDS:** MSS SP-58 Type 10, FS WW-H-171E Type 10
- APPROVALS:** FM (3/4" - 8"), UL (3/4" - 8")
- ORDERING:** Specify figure number and pipe size.



PLUMBING SERVICE HANGER									
PIPE SIZE	ROD SIZE	A	B	C	D	E	STOCK SIZE	WEIGHT EACH, LBS.	MAX. REC. LOAD, LBS.
1/2	3/8	1 5/8	7/8	1 3/16	2 1/2	2 7/8	18ga x 5/8	0.08	400
3/4	3/8	1 9/16	7/8	1 1/16	2 7/16	2 15/16	18ga x 5/8	0.08	400
1	3/8	1 3/4	7/8	1 1/16	2 5/8	3 1/4	18ga x 5/8	0.08	600
1 1/4	3/8	1 11/16	7/8	7/8	2 9/16	3 3/8	18ga x 5/8	0.10	600
1 1/2	3/8	1 13/16	7/8	7/8	2 11/16	3 5/8	18ga x 5/8	0.10	600
2	3/8	2 1/2	7/8	1 5/16	3 3/8	4 1/2	18ga x 5/8	0.12	600
2 1/2	1/2	2 3/4	1 1/16	1 1/4	3 11/16	5 1/8	14ga x 3/4	0.32	600
3	1/2	3 1/8	1 1/16	1 1/8	4	5 7/8	14ga x 3/4	0.35	600
3 1/2	1/2	3 5/8	1 1/16	1 1/2	4 5/16	6 5/8	14ga x 3/4	0.39	600
4	5/8	3 7/8	1 1/8	1 1/4	4 15/16	7 1/8	13ga x 3/4	0.43	1000
5	5/8	4 3/8	1 1/8	1 3/8	5 5/8	8 1/2	12ga x 1	0.65	1000
6	3/4	5 5/16	1 3/8	2	6 11/16	10 1/8	12ga x 1	1.09	1250
8	3/4	6 15/16	1 3/8	2 5/8	8 5/16	12 7/8	11ga x 1	1.24	1250



NOTE: In accordance with the International Plumbing Code (IPC)